

MT-263020/TRH/A

902-928 MHz, 11 dBic, Reader Antenna



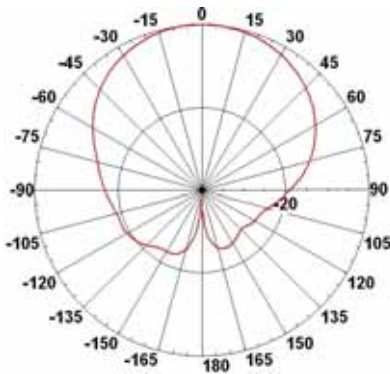
Specifications

MTI PART NUMBER		MT-263020/TRH/A		
ELECTRICAL				
FREQUENCY RANGE	902 - 928 MHz			
GAIN	11 dBic (min)			
VSWR	1.5:1 (max) 1.3:1 (typ)			
AZIMUTH 3 dB BEAMWIDTH	30° (typ)			
ELEVATION 3 dB BEAMWIDTH	63° (typ)			
POLARIZATION	RHCP			
SIDELOBES LEVEL	-12 dB (max) -15 dB (typ)			
AXIAL RATIO AT 3 dB BEAMWIDTH	3 dB (max)			
F/B RATIO	-20 dB (max)			
INPUT IMPEDANCE	50 (ohm)			
INPUT POWER	6 W (max)			
LIGHTNING PROTECTION	DC Grounded			
MECHANICAL				
DIMENSIONS (LxWxD)	630x320x40 mm (max)			
ORIENTATION	Rectangular			
WEIGHT	2.8 Kg (max)			
CONNECTOR	TNC Reverse polarity			
RADOME	Plastic UV Resistant per ETSI 300			
BASE PLATE	Aluminum with chemical conversion coating			
MOUNTING KIT	MT-120019			
ENVIRONMENTAL				
TEST	STANDARD	DURATION	TEMPERATURE	NOTES
LOW TEMPERATURE	IEC 68-2-1	72 h	-55°C	-
HIGH TEMPERATURE	IEC 68-2-2	72 h	+71°C	-
TEMP. CYCLING		IEC 68-2-14	1 h	-45°C +70°C
THERMAL SHOCK			-30°C to +70°C	Ramp
NONO-OPERATING				30°C/min
HUMIDITY	ETSI EN300-2-4 T4.1E	144 h	-	95%
WATER TIGHTNESS	IEC 529	-	-	IP54
DUST RESISTANCE				IP54
SOLAR RADIATION	ASTM G53	1000 h	-	-
OZONE RESISTANCE	ETSI 300			
FLAMMABILITY	UL 94	-	-	Class HB
SALT SPRAY	IEC 68-2-11 Ka	500 h		
QUASI RANDOM				20g rms for 4
VIBRATION				hours
VEHICLE VIBRATION	1g rms, 10-500 Hz,	6 hours total, 2 hr in each axis. Accelerated wear -		
OPERATING	in 3 axis	an additional 50hrs in worst case axis.		
MECHANICAL SHOCK	10g, 11 msec,			
OPERATING	half sine pulse			

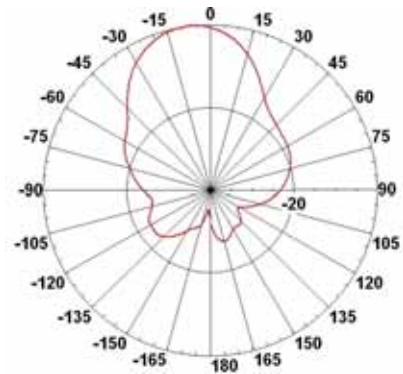
MT-263020/TRH/A

902-928 MHz, 11 dBic, Reader Antenna

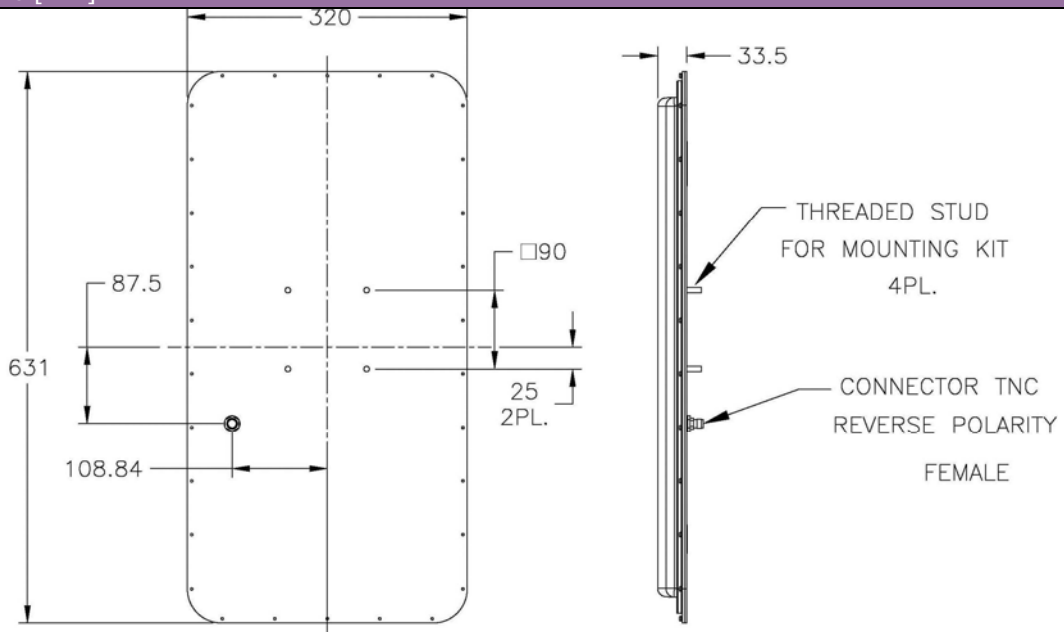
Azimuth Radiation Pattern
 Midband Freq. 0.915 GHz



Elevation Radiation Pattern
 Midband Freq. 0.915 GHz



Dimensions [mm]



Existing Antenna Versions

MT-263020/NRH	N-Type connector, RHCP
MT-263020/NLH	N-Type connector, LHCP
MT-263020/TLH/A	Reverse TNC connector, LHCP

MTI Wireless Edge is certified according to ISO 9001 and ISO 14001.

WAIVER!

While the information contained in this document has been carefully compiled to the best of our present knowledge, it is not intended as presentation or warranty of any kind on our part regarding the fitness of the products concerned for any particular use or purpose and neither shall any statement contained herein be construed as a recommendation to infringe any industrial property rights or as a license to use any such rights. The fitness of each product for any particular purpose must be checked beforehand with our specialists.

MTI Wireless Edge Ltd.

11 Hamelacha St.
 Afek Industrial Park
 Rosh Ha'ayin 48091, Israel
 Tel: +972-3-9008900
 Fax: +972-3-9008901
www.mtiwe.com

輸入元/日本代理店



〒103-0023 東京都中央区日本橋本町三丁目8番4号 ユニゾ日本橋本町三丁目ビル 5階
 TEL: 03-5656-0355(代表) FAX: 03-5656-0356
<http://www.mightycube.co.jp>