

Omni-ID® Exo 600

Omni-ID Exo 600 is a small, high performance, global RFID tag designed to meet the diverse needs of logistics industries. With a small footprint it is well suited for attachment to metal bars commonly found on RTI's. Exo 600 has a long read range and broad read angle for industrial and warehouse portal applications and comes with adhesive or rivet hole mounting options.

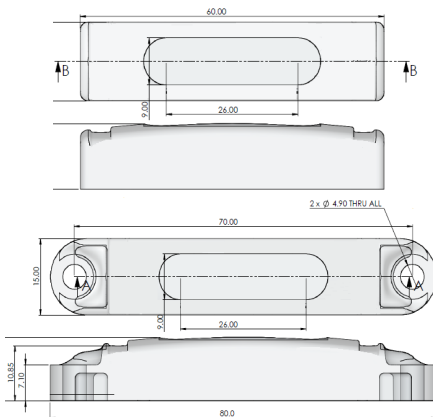
Building Intelligent Supply Chains

With a small footprint and high performance, Exo 600 is ideally suited for RTI applications in the following industries

- ▶ Logistics and Postal
- ▶ Automotive
- ▶ Retail and Warehousing

Physical Specifications

Encasement	ABS Rigid Plastic
Size (mm)	80 x 15 x 12.2 (with holes) 60 x 15 x 12.2 (without holes)
Size (in)	3.15 x 0.59 x 0.48 (with holes) 2.36 x 0.59 x 0.48 (without holes)
Weight (g)	12.5 (with holes) 11.5 (without holes)



Dimensions stated in mm

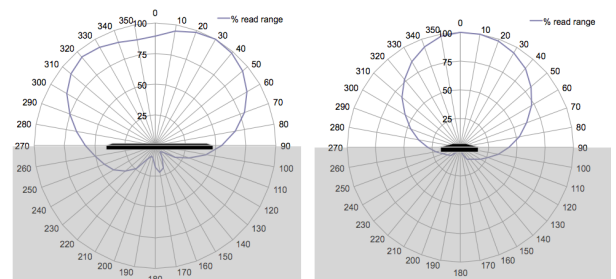
RF Specifications

Protocol	EPC Class 1 Gen2
Frequency Range (MHz)	860-940 (GS)
Read Range (Fixed reader) ¹	Up to 6.0m (US) Up to 6.0m (EU)
Read Range (Handheld reader) ¹	Up to 3.0m (US) Up to 3.0m (EU)
Material Compatibility	Optimized for Metal
IC Type (chip)	Impinj Monza 4QT
Memory ²	EPC - 96bits User - 512bits TID - 64bits

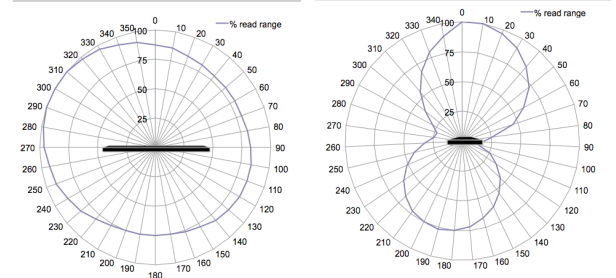
1. Quoted performance achieved using standard testing methodology. Read range will vary with reader hardware and output power.
2. EPC and User memory are reprogrammable, TID is locked at point of manufacture.

Radiation Patterns

On Metal



On Plastic



Related Products and Services

- ▶ **Omni-ID IQ 800P** - Large premium label for plastic assets.
- ▶ **Omni-ID Exo 210**- Low profile, on metal RFID tag optimized for attachment to small metal assets.
- ▶ **Omni-ID Exo 750** - Extreme durability, long range and global operability in a small, square footprint, on metal RFID tag.
- ▶ **Service Bureau** - Omni-ID offers a full service bureau for printing and pre-encoding Omni-ID tags at point of manufacture.



Environmental Specifications

Storage Temperature	-20 ° to +85 °C
Operation Temperature	-20 ° to +85 °C
Survivability	-20 ° to +85 °C
IP Rating	IP68
Shock and Vibration	MIL STD 810-F
Impact ²	10kg from 1m
Attachment	Mechanical (std) Film adhesive (no holes option) Foam adhesive (no holes option)
Certifications	RoHS approved CE approved ATEX/IECEX certified (option) US&Canada (C1D1/D2) certified (option)
Warranty	3 years



Ordering Information

Order Numbers	061- GS (with attachment holes) :517 (no attachment holes) :304 (ATEX/IECEX certified) :307 (US&Canada (C1D1/D2) certified) :701 (Standard Service Bureau) :702 (Custom Service Bureau)
---------------	--

1. Excludes adhesive options, consult adhesive data sheets for recommended temperature ratings.
2. Testing methodology available on request

Corporate Headquarters:

1200 Ridgeway Avenue
Rochester, NY 14615
585-713-1000
www.omni-id.com

European Office:

The Enterprise Centre
Coxbridge Business Park
Alton Road, Farnham, Surrey
GU10 5EH, United Kingdom

Asian Office:

Sunyoung Center
Room 1308, Unit B
28 XuanHua Rd
Shanghai, China 205002

For product or technology inquiries email:

sales@omni-id.com



〒103-0023 東京都中央区日本橋本町三丁目8番4号 ユニゾ日本橋本町三丁目ビル 5階
TEL: 03-5656-0355(代表) FAX: 03-5656-0356
<http://www.mightycube.co.jp>

Omni-ID office locations: US | UK | China | India | Southeast Asia

For product or technology inquiries email: sales@omni-id.com